

# ECP30ZX

## Four-section Z-FOLD



# ECP30ZX

## Four-section Z-FOLD

**TOTAL WEIGHT= 52,668 lbs (23,890kg)**



Based on Model MACK MRU 613 with 2116 pump cell. Dimensions will vary with different truck makes, models and specifications. Weights are approximate and include pump, boom, truck, driver and some fuel. Varies with options selected.

### BOOM SPECIFICATION

Folding type	4-section Z-folding
Max. vertical reach	95'8" (29.2m)
Max. horizontal reach	84'5" (25.8m)
Max. depth reach	61'4" (18.7m) (incl. End hose 3m)
Unfolding height	24'6" (7.5m)
Slewing angle	370deg.
End hose length	10' (3m)
Delivery pipe dia.	5" (125mm)

### PUMP SPECIFICATION

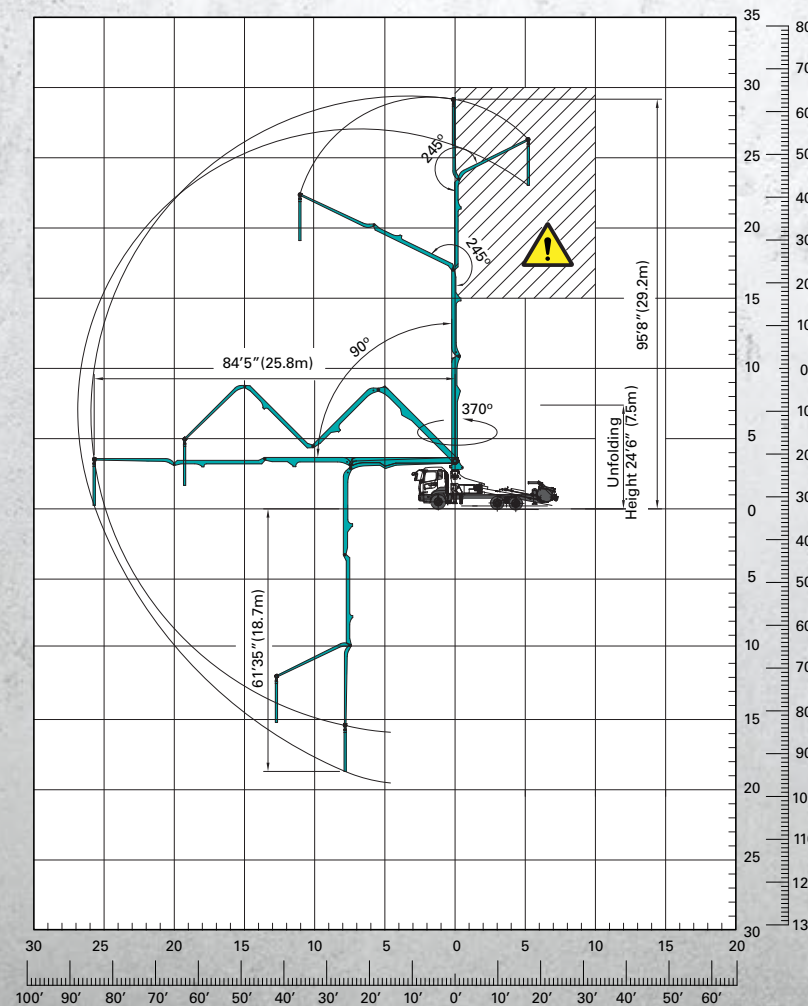
Pump cell	2116
Control system	Closed Free Flow Hydraulic
Main pump	A4VG125x2
Concrete cylinder	9" x 82'6" (230 x 2,100mm)
Strokes No.(per min.)	30
Concrete output*	209yd <sup>3</sup> /hr (160m <sup>3</sup> /h)
Concrete pressure*	1,233psi (85bar)
Transfer tube type	S-Tube,S2318 (Dia. 230-180mm)
Volume of hopper	158gal (600L)

\*Rod side. Ouput & pressure are theoretical data.

### FEATURE

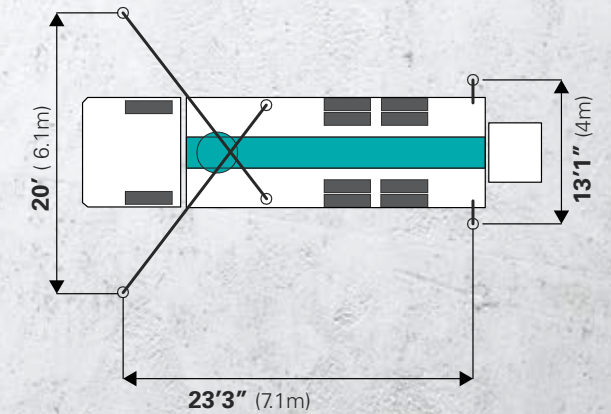
Inductive proximity switch with indicator	Flushing water pump(30bar)	Twin wall pipe
Single lip concrete piston	Auto lubrication system for hopper	Working light on boom
Hard-chromed concrete cylinders	Tungsten carbide for wear ring and plate	Safety device for hopper
Greasing port on boom link and pedestal	Flap elbow(180-150mm) with cleaning port	
Working light on pedestal	Agitator motors on both side hopper	
Aluminum platform(non-skid)	Working light on hopper	

### WORKING RANGE



⚠ Don't use in caution area

### OUTRIGGER SPREAD



Front outrigger type X(Diagonal) Extension  
Rear outrigger type Jack cylinder



### EVERDIGM HEAD OFFICE

49, Buyeong-gil, Jincheon-eup, Jincheon-gun, Chungcheongbuk-do, Korea  
Tel +82-43-530-3300 Fax +82-43-530-3429

### EVERDIGM AMERICA

655 West Lytell Street, Metter, Georgia 30439, USA  
E-mail: everdigmamerica@everdigm.com  
Tel +1-912-685-5099

\*EVERDIGM reserves the right to make changes to specifications and supply scope. Specifications and supply scope are subject to change without prior notice.